

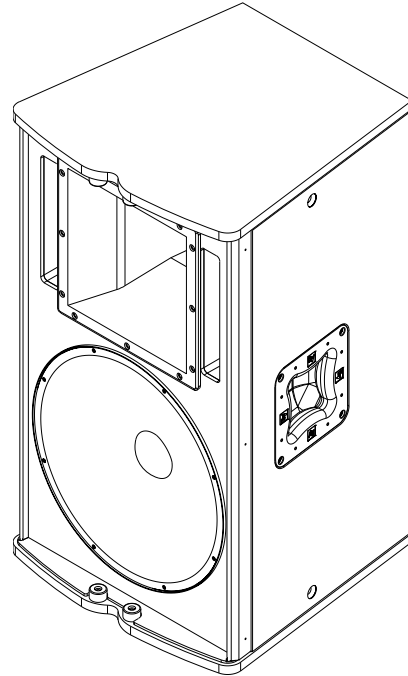
# TX1152

**TX1152**  
Single 15" Two-Way,  
60° x 40° Full-Range  
Loudspeaker System



## Key Features:

- DH3 1.25" (32mm) Diaphragm, 1" (25mm) Exit Pure Titanium Compression Driver
- SMX2151 15" (381mm) LF Transducer with Fully Symmetric Drive
- Advanced 4<sup>th</sup> Order Crossover with HF Protection
- 60° x 40° Rotatable Coverage Pattern
- 100 dB Sensitivity, 133 dB Maximum SPL
- 500W Continuous (2000W Peak) Power Handling
- Pole Mount for Tripod Use
- (6) 3/8" Threaded Points for Suspension



## General Description:

The Electro-Voice® TX1152 is a high power, high sensitivity, 2-way loudspeaker system that can be used in a variety of applications where high quality sound reinforcement is required in a lightweight package.

The TX1152 utilizes the DH3, a high output 1.25" titanium compression driver, coupled to a Constant Directivity™ 60° x 40° horn. This combination results in a smooth response to 20 kHz and excellent pattern control in medium throw applications.

The SMX2151 15" woofer has an FEA optimized magnet structure and a shorting ring for ultra low distortion and maximum intelligibility at high SPL levels. The crossover uses steep 24 dB/octave slopes with equalization for very smooth response in vocal range, extended HF, and a protection circuit for long term reliability.

The TX1152 has a variety of features that make it equally suited for portable or fixed installation applications. The trapezoidal enclosure is constructed out of a combination of plywood and MDF, and coated with EVCoat™ for maximum strength while still remaining lightweight. The unique grille design is very strong, dent resistant, and features a rotatable logo. Four way handles allow for gripping the TX1152 in a variety of positions, a pole mount allows for placement on a subwoofer or a tripod. Six 3/8" threaded points allow a single TX1152 to be suspended in a various positions. The recessed input panel with dual NL4 connectors panel keeps the connectors hidden while allowing the TX1152 to be used with the TX1181 subwoofer for extended sub bass on a single amplifier channel, with no additional processing needed.

## Technical Specifications:

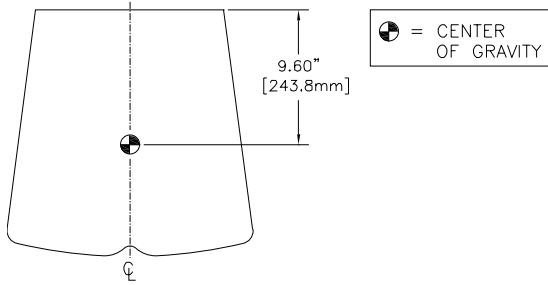
Freq. Response <sup>1</sup> (-3 dB):	55 Hz - 20 kHz
Freq. Range <sup>1</sup> (-10 dB):	40 Hz - 20 kHz
Rec. Hipass Frequency:	40 Hz
Axial Sensitivity:	100 dB (1W/1m)
Max. Calculated SPL:	133 dB
Horizontal Coverage:	60°, or 40°
Vertical Coverage:	40°, or 60°
Power Handling:	500W Continuous, 2000W Peak
LF Transducer:	SMX2151, 15 in (381mm) Driver
HF Transducer:	DH3, 1.25 in (32mm) Diaphragm Compression Driver
Crossover Frequency:	1650 Hz
Nominal Impedance:	8 Ohms
Minimum Impedance:	5.6 Ohms
Connectors:	(2) Neutrik Speakon NL4's
Enclosure Material:	Plywood and MDF with EVCoat™
Grille:	16 GA Steel, Black Powdercoat, with Rotatable Logo
Suspension:	(6) 3/8" Threaded Points - (2) on Each Side and (2) on the Rear of Enclosure
Dimensions (H x W x D):	30.6" x 17.5" x 17.5" (776mm x 446mm x 446mm)
Net Weight:	61.2 lbs (27.8 kg)
Shipping Weight:	68.7 lbs (31.2 kg)

<sup>1</sup> Half Space Measurement.

Live For Sound  
www.electrovoice.com

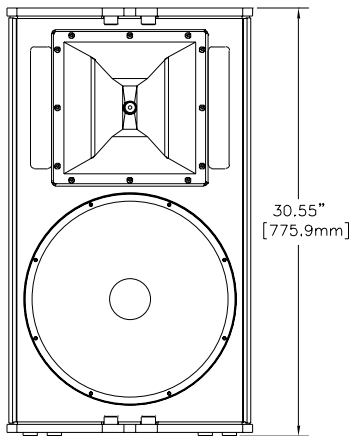


## Dimension Drawings:

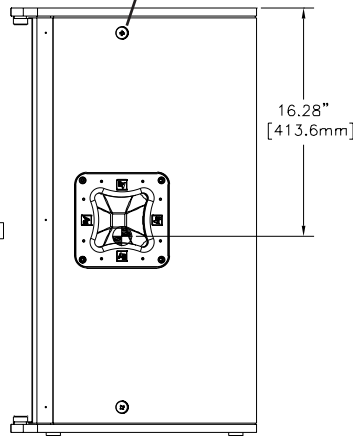


Top View

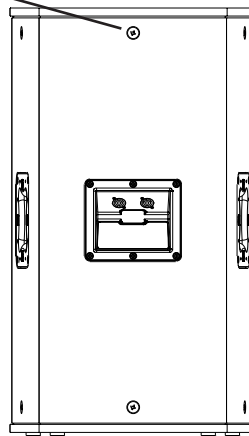
(6) 3/8" Threaded Points - (2) on Each Side and (2) on the Rear of Enclosure



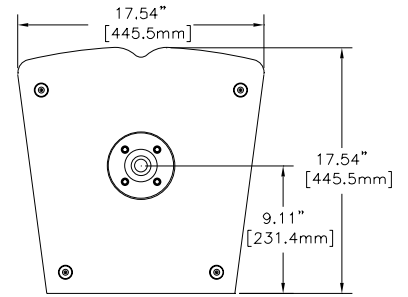
Front View



Right View

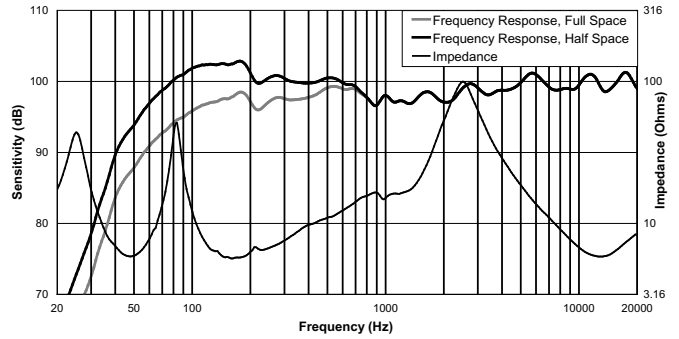


Rear View

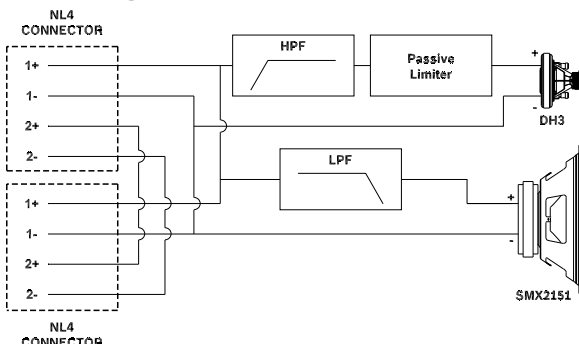


Bottom View

## Frequency Response & Impedance:



## Block Diagram:



### TX1152 Part Numbers

- PRD000139-001 TX1152, Single 15" Two Way, 60° x 40° Full-Range, Black Finish

### Performance Match

- PRD000142-001 TX1181, Single 18" Sub, Black Finish
- D170401 CP4000S, 120V Power Amplifier, 2 x 1400W
- D170312 CP3000S, 120V Power Amplifier, 2 x 1100W
- D170258 CP2200, 120V Power Amplifier, 2 x 800W
- PRD000043-001 DC-One, 120V Digital Loudspeaker Controller

### Accessories

- 302053-001 TSS-1, Single Aluminum Tripod Stand, Black
- 302053-000 TSP-1, Two Aluminum Tripod Stands with Carrying Case
- 5542930 EBK-1, 3/8" Forged Eyebolt Kit, Set of Three



This TX1152 Loudspeaker should be suspended overhead only in accordance with the procedures and limitations specified. This system should be suspended with certified rigging hardware by an authorized rigging professional and in compliance with local, state, and federal overhead suspension ordinances.

## Electro-Voice®

12000 Portland Avenue South, Burnsville, MN 55337  
Phone: 952/884-4051, Fax: 952/884-0043

www.electrovoice.com

© Bosch Communications Systems

02/2009

Part Number LIT000176 Rev A

U.S.A. and Canada only. For customer orders, contact Customer Service at: 800/392-3497 Fax: 800/955-6831

Europe, Africa, and Middle East only. For customer orders, contact Customer Service at: + 49 9421-706 0 Fax: + 49 9421-706 265

Other International locations. For customer orders, Contact Customer Service at: + 1 952 884-4051 Fax: + 1 952 887-9212

For warranty repair or service information, contact the Service Repair department at: 800/685-2606

For technical assistance, contact Technical Support at: 866/78AUDIO

Specifications subject to change without notice.